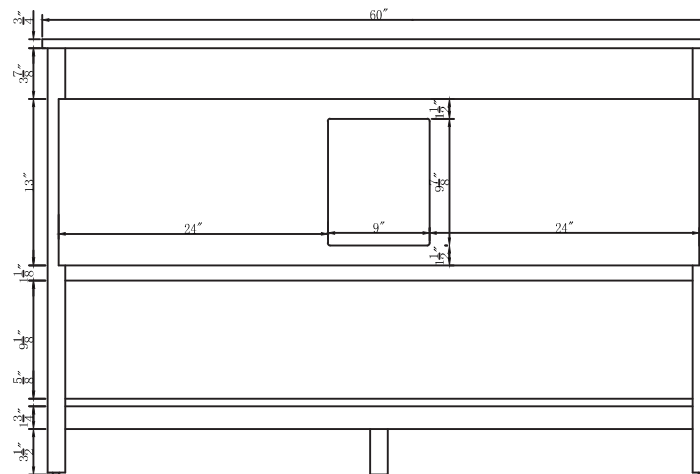
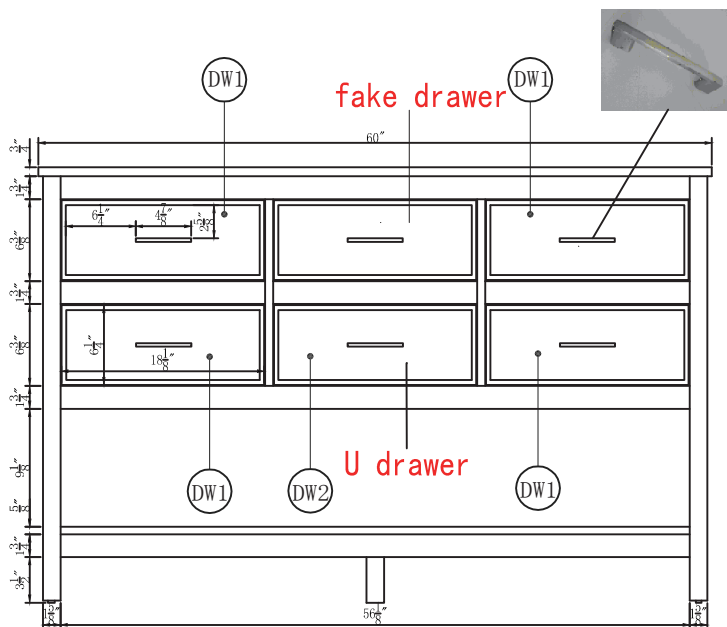


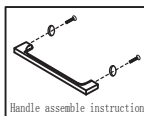
Top view



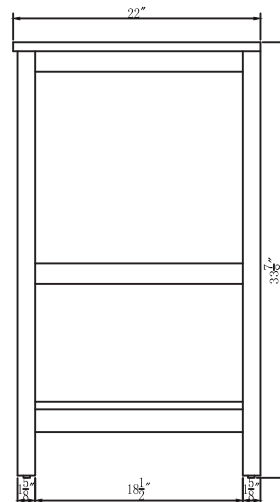
Back view



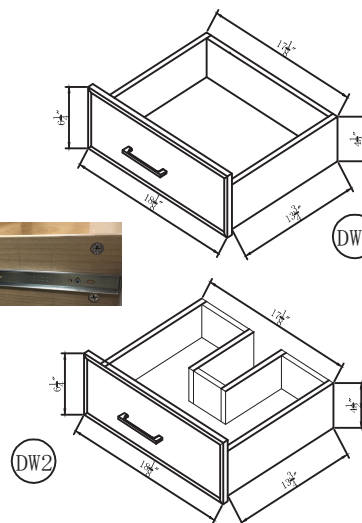
Front view



Handle assemble instruction



Side view



Drawer Interior Size

DWG. NO.:

MODEL NO.:

VF19060WH

ALTERATIONS

1

2

3

4

FOR PROPOSAL ONLY ALL DIMENSIONS TO BE VERIFIED

SCALE:

DWG. BY:

CHECKED BY:

DATE:

PROJECT:

Qty:

Color:

DRAWING TITLE:

FINISH:

Elegant



Decor

ELEGANT LIGHTING